

UNIVERSAL/MULTIFLEX

INTERNATIONAL

Factory Parts Catalog

Product No.	MRAD19V9QSC
Series	134A
Color	gray
Volts	220
Wiring Diagram	297392801
Owner's Guide	297409200
Market	Export

INTERNATIONAL

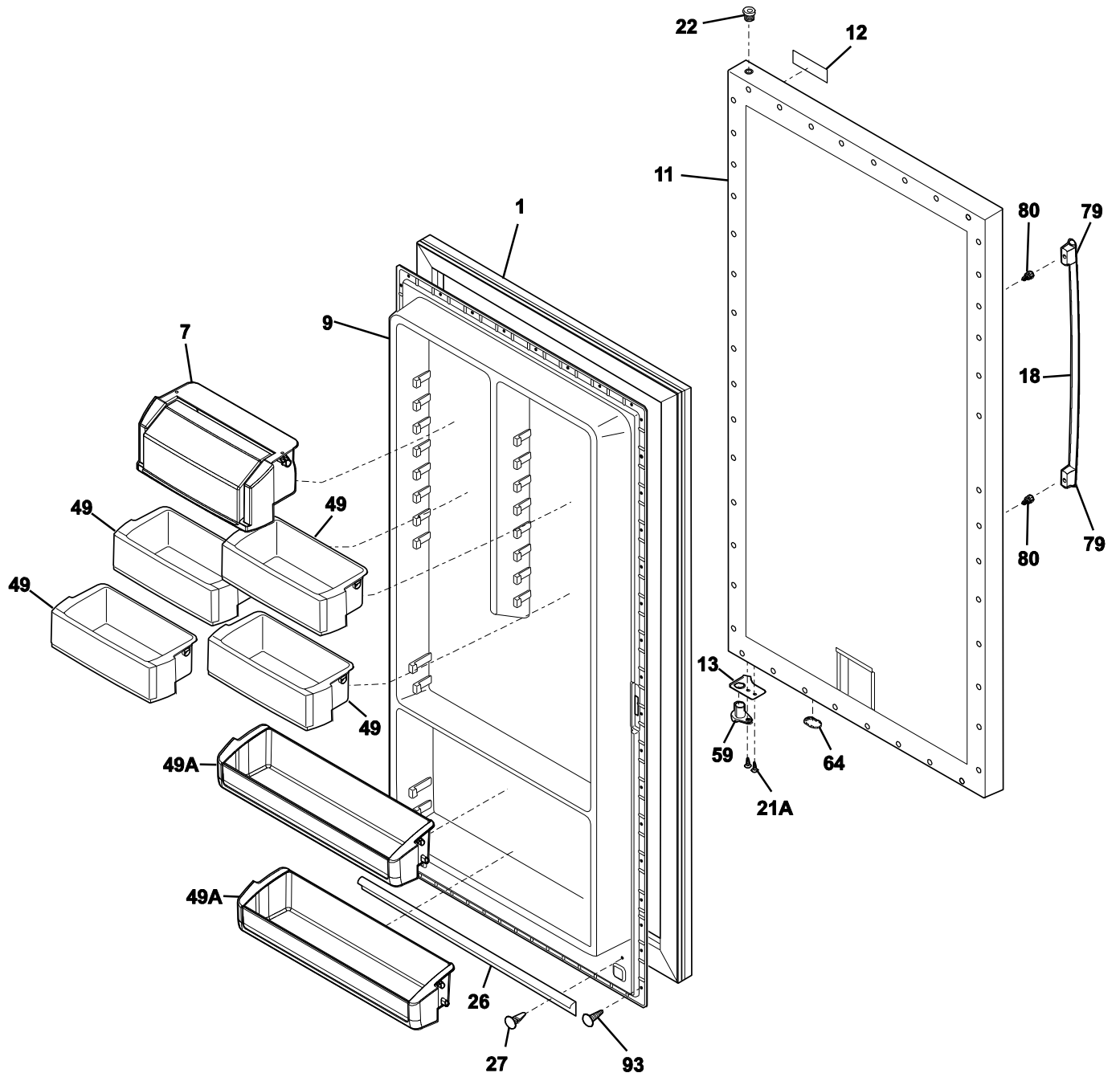
P.O. BOX 8020
CHARLOTTE, NC 28262

Publication No.
5995675112
16/05/03
(EN/SERVICE/)
365

REFRIGERATOR

Model No.
MRAD19V9QS

DOOR

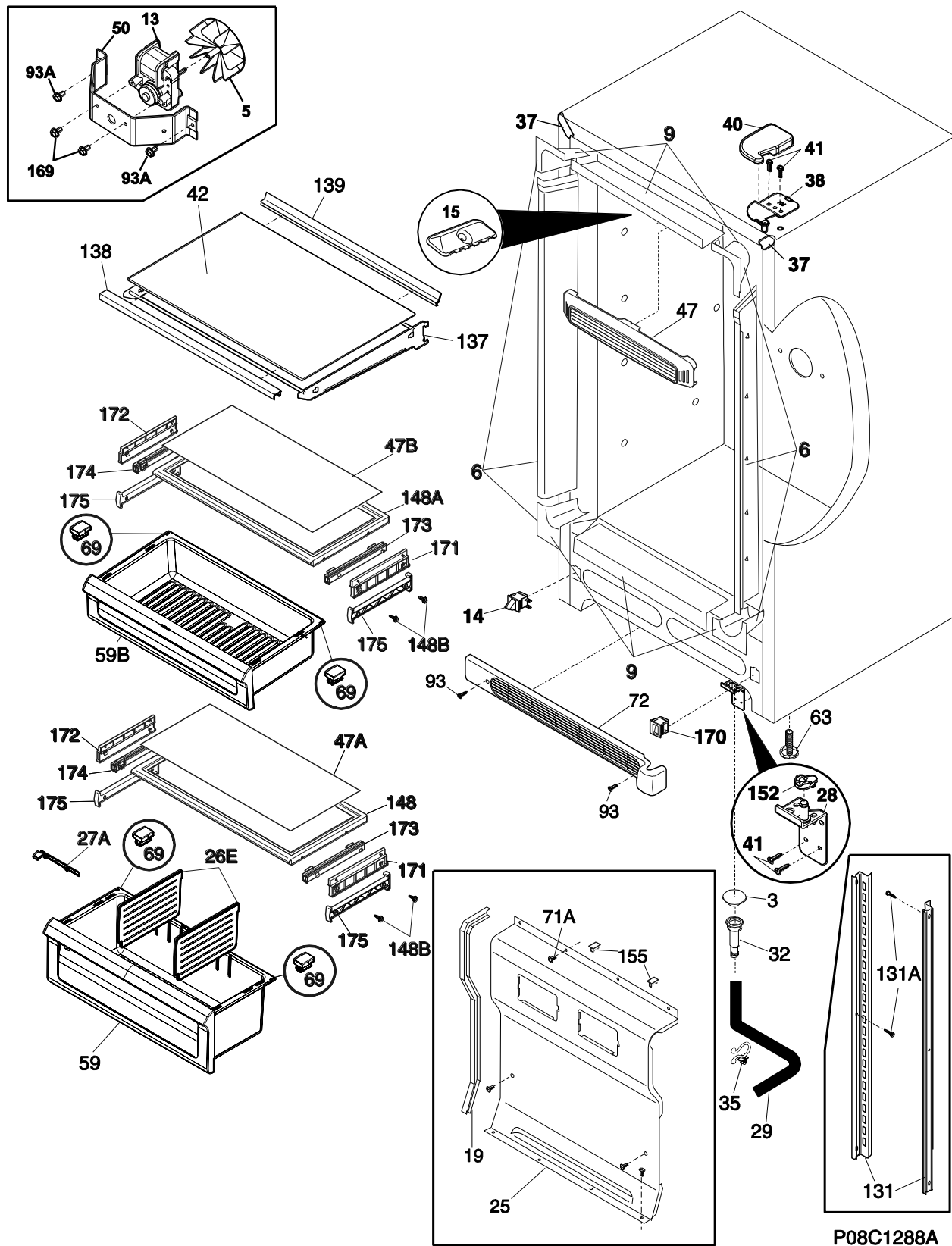


P08D0677

DOOR

POS. NO	PART NO.	DESCRIPTION
1	5304505782	Gasket
7	297326200	Dairy Bin, assembly
9	297280800	Panel-inner door, frzr
11	297353500	Panel-outer door, stainless
12	137095501	Anchor, nameplate
13	297302800	Door Stop, RH
18	297330300	Handle Assembly, stainless, w/endcaps
18*	241701901	Screw Driver
18*	297175300	Wrench, allen
21A	297197500	Screw, door stop mtg, FH38-16X.750, P Twin
22	216970801	Bearing, hinge, gray, top
26	216524201	Gasket, secondary
27	5303212828	Clip, panel mtg
27*	5304406520	Clip, panel mtg kit, (40)
49	297295300	Bin-door, 2-liter
49A	297295400	Bin-door, gallon, (2)
59	297302900	Bearing, door stop
64	216403701	Plug-button, hole filler, door base
79	218755401	Screw-set, 10-32 x 0.375
80	218755504	Screw, shoulder, #10-AB, handle mounting
93	216858001	Screw, 8-18x.50 AB, #10
*	297355300	Label, quick start
*	297048000	Screw, anchor, #8, white

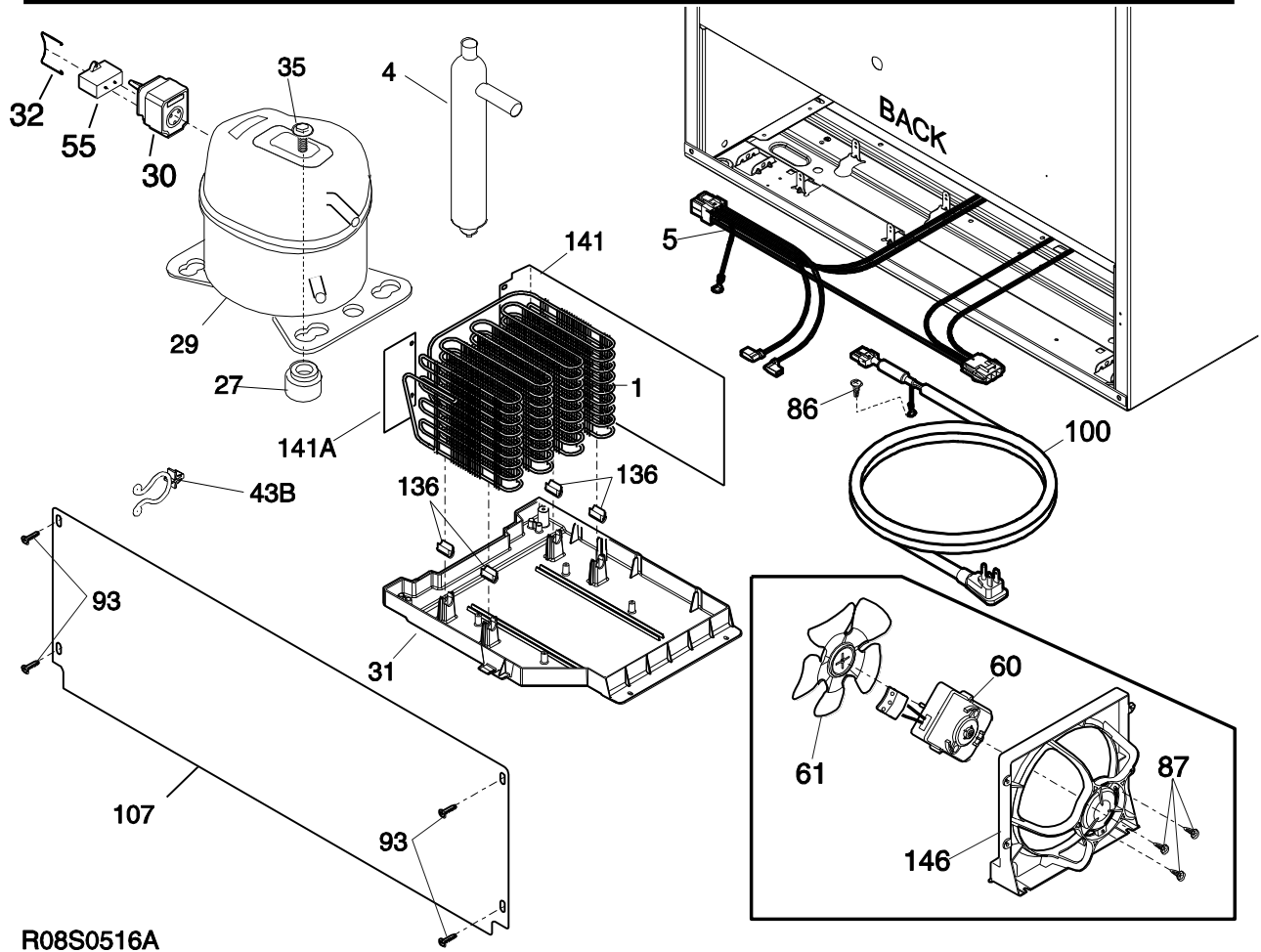
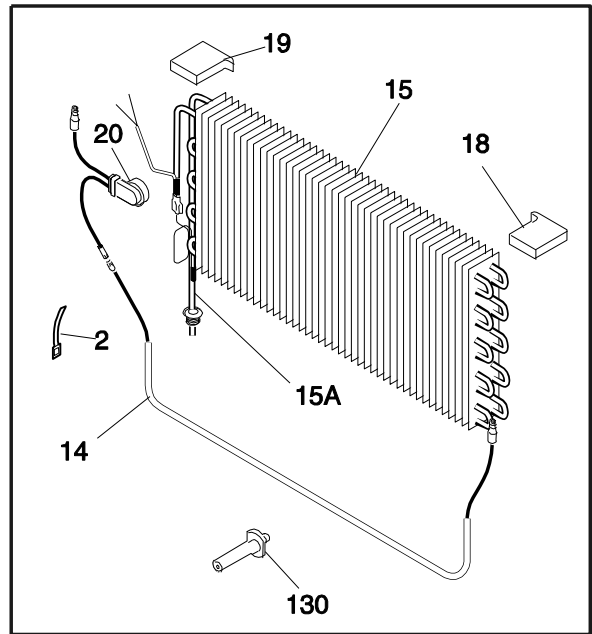
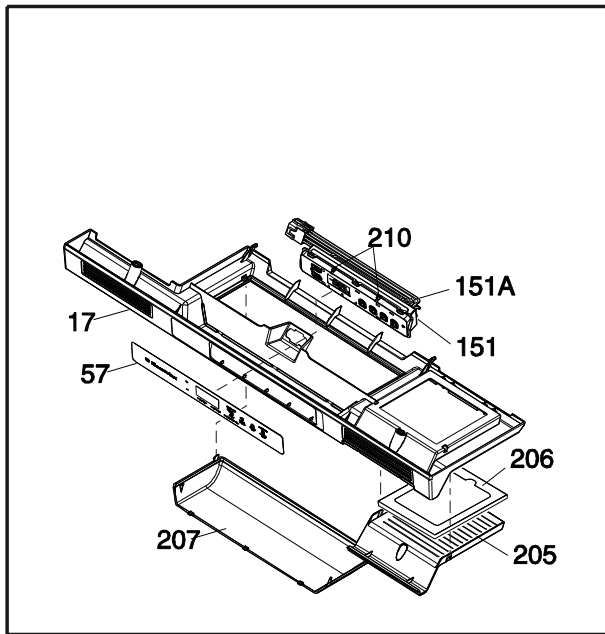
CABINET



CABINET

POS. NO	PART NO.	DESCRIPTION
3	216503100	Screen-drain
5	297437300	Fan Blade
6	297200900	Breaker Kit w/corners
9	297200100	Breaker Kit w/corners, 32", top and bottom
13 #	297250010	Motor-fan, 230V
14	216822901	Switch, light/lamp, ramp
15 #	241891105	Light-LED
19	216204902	Gasket-evap cover
25	297099255	Cover-evaporator
26E	297099400	Divider-crisper
27A	297295800	Knob, humidity contrl
28	297302512	Hinge-lower
29	216313501	Hose-drain
32	5308005500	Drain
35	216273000	Clip, wire retainer
37	297273906	Trim-cabinet corner, gray
38	297303900	Hinge-upper, RH
40	297304000	Cover-hinge, gray, RH
41	297236250	Screw, hex head, 1/4-20x5/8, hinge
42	297265900	Glass-shelf
47	297192903	Baffle, air
47A	297102705	Glass, crisper cover
47B	297102704	Glass, crisper cover
50	216394050	Bracket, fan motor mount
50A#	241891608	Board-LED power
59	297295700	Bin, crisper, assy
59B	297292300	Drawer, deli-assy
63	216396900	Screw, leveling foot, plastic, adjustable
63*	297164650	Bracket, LH leg levelor
63*	297164651	Bracket, RH leg levelor
69	297297300	Bumper, crisper
71A	297146820	Screw, 8-18AB x.470 QX
72	297036904	Grille/Kickplate, 32", gray
93	216858001	Screw, 8-18x.50 AB, #10
93A	297174300	Screw, self pierce, #8, 18x.63
131	297130200	Channel-shelf mtg, side, (2)
131A	297146821	Screw, th, 8-18x.470 AB QX, white, (6)
137	297050600	Frame-shelf, cantilever, (2)
138	297261400	Trim-shelf, front
139	297261500	Trim-shelf, rear
148	297271700	Frame-crisper cover
148A	297271701	Frame-crisper cover, lower
148B	297142600	Screw, blunt, 8-32 x 5/8
152	297302700	Bearing-hinge
155	5303313703	Clip, wire
169	216912401	Screw, hex washer head, 8-32 x 0.500, bracket fan mtr, (2)
170	297280403	Valve, breather
171	297092700	Bracket, crisper cover, RH
172	297092701	Bracket, crisper cover, LH
173	297291210	Slide, crisper, RH, w/clips
174	297291211	Slide, crisper, LH, w/clips
175	297099500	Support, crisper
*	297001704	Insulation, 24", drain tube

SYSTEM



R08S0516A

SYSTEM

POS. NO	PART NO.	DESCRIPTION
1 #	5300083897	Condenser
2	5308000110	Strap-evap/heater, aluminum, (2)
4 #	297396820	Filter-dryer
5 #	297325400	Harness-main
14 #	216730701	Heater-defrost
15 #	297414900	Evaporator
15A#	5304494381	Heat Exchanger
17	297269000	Box-control
18	297078701	Insulator-evap, styrofoam, RH
19	297078801	Insulator-evap, styrofoam, LH
20	216731001	Thermostat, defrost
27	5308002681	Grommet, compressor
29 #	297056400	Compressor, 220-240V
30	297259525	Controller, compressor
31	297165800	Pan-drain
32	216649200	Clip, controller
35	297368500	Bolt, compressor
43B	297315800	Clip, wire
50A#	241891608	Board-LED power
55	216985004	Capacitor, run, 5MF
57	297269404	Overlay
60 #	297279550	Motor-condenser fan
61	241639501	Blade-condenser fan
86	216036601	Screw, RWHD, 8-32A x 0.500, GX-CA
87	5304463290	Screw, hi-lo blunt, #8-18X1/2
93	216858001	Screw, 8-18x.50 AB, #10
100#	297075901	Cord-power, 220V
107	297194802	Panel, access
130	297244700	Support, evaporator mtg
136	240405201	Grommet, rubber, black, cond tube/wire
141	297164200	Divider, air flow
141A	297194700	Divider, small, air flow
146	297164000	Shroud-fan orifice
146*	216337701	Screw, HWH, 10-24 x 0.500, Swage
151#	297326506	Electronic Control, assembly
151A	5304495183	Harness-jumper
205	297294301	Holder, air filter
206	242047801	Filter, air
207	297294501	Shield-light, white
208	297355201	Guard-wire
210	216905301	Screw, PH 3-24X.25, electronic assy
*	297110400	Thermistor
*	216502500	Sleeve, suction line
*	240555002	Screw-#8-32 X 3/8
*	297174300	Screw, self pierce, #8, 18x.63